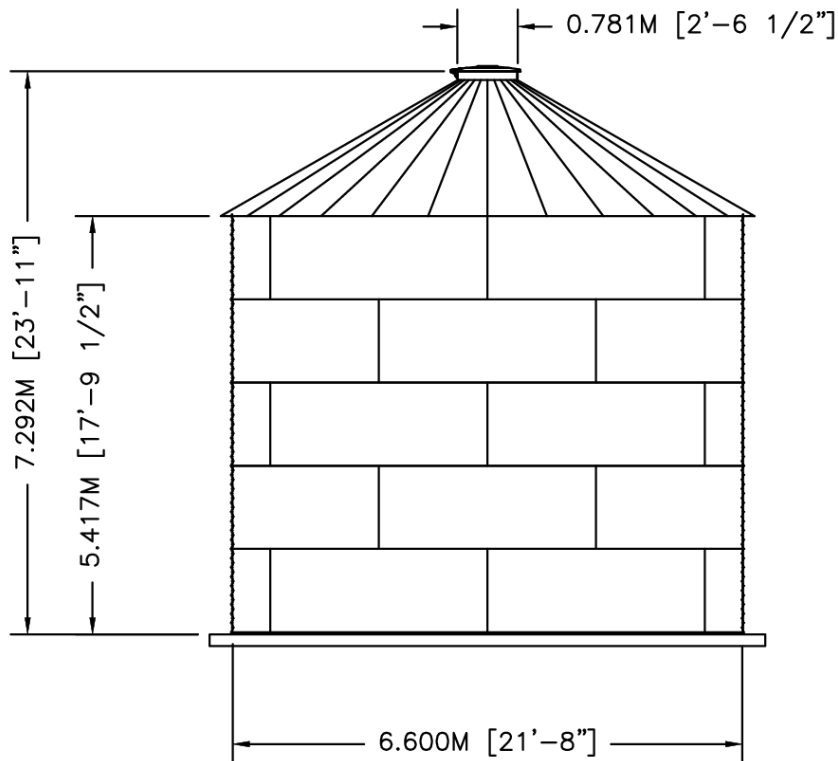



PLAN



ELEVATION

		BY	DATE	TITLE	
	DWN	XXX	XX/XX/XX	WTU07-05 30"PR 30DEG V-RIB	
	CKD			NOMINAL CAPACITY - 181.208 M3 [47,870 GAL]	
	ENG			DWG. NO. SCT2105-VR WTU07-05	REV. NO.
	SIZE:	SCALE:		SHEET	OF
	A	1/8"=1'-0"		1	1